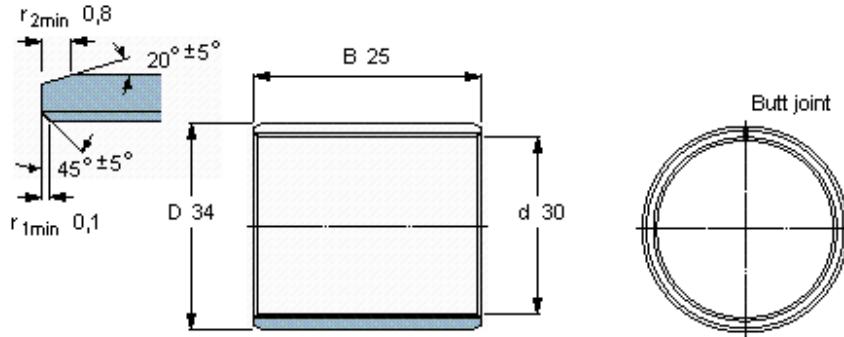


Composite dry sliding bushings, metric dimensions

Principal dimensions			Basic load ratings		Mass	Designation
d	D	B	dynamic C	static C0	kg	-
mm			kN			
<b>30</b>	34	25	58,5	180	0,037	PCM 303425 E



**Specific load factor**  
**Material constant**

K 80  
K<sub>M</sub> 480